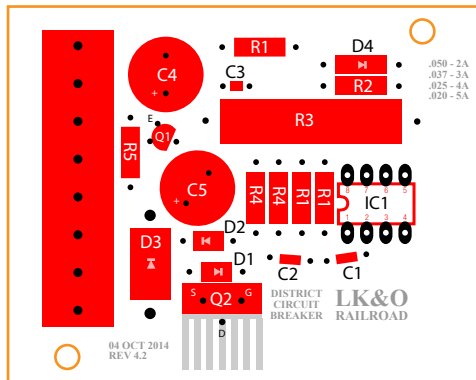


15V GND IN
 15V + IN
 15V + OUT
 15V GND OUT
 FAULT LED +
 FAULT LED GND
 TRACK +
 TRACK GND



R1(3)	10k Ω
R2	51k Ω
R3	.020 Ω
R4(2)	100k Ω
R5	680 Ω 1/2W
C1	.33 μ F
C2	.22 μ F
C3	.1 μ F
C4	470 μ F
C5	470 μ F (opt)
D1	15V Zener
D2	1N4148
D3	1N5400
D4	1N4148
Q1	2N2907
Q2	IRFZ34
IC1	LTC1153